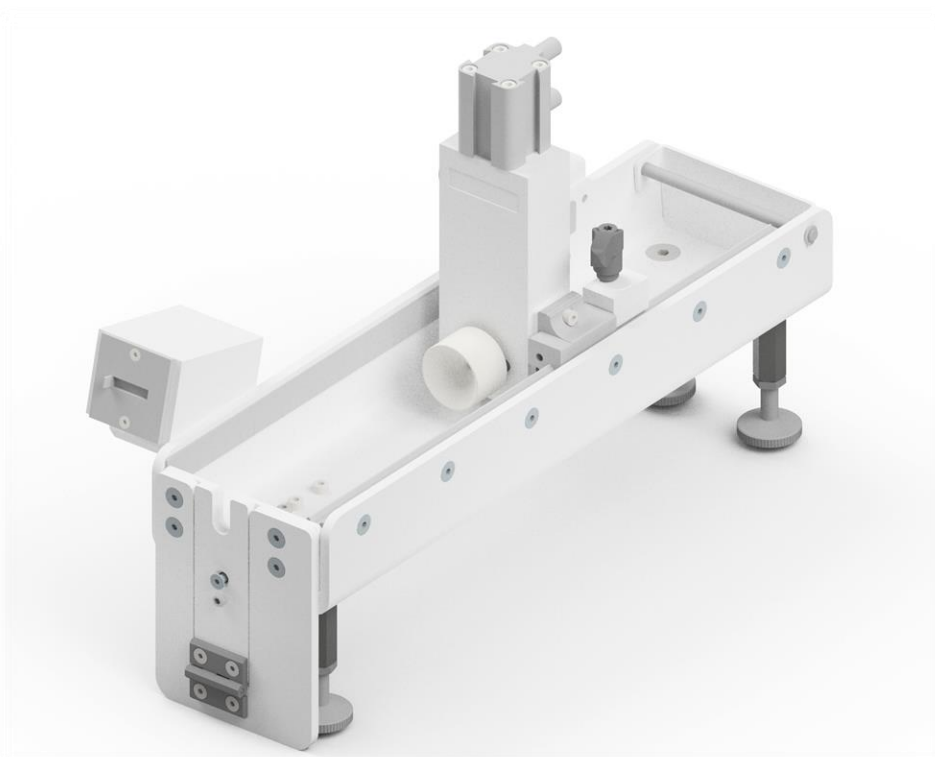


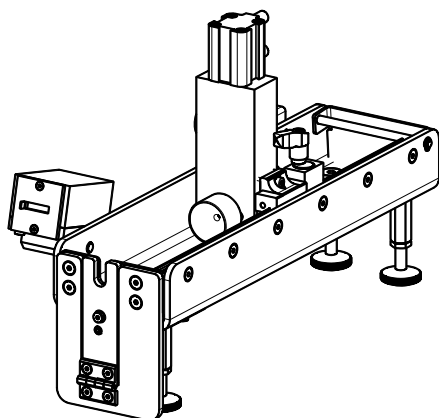
SEMI-AUTOMATIC TUBES CUTTER TYPE: Z-2007



Semi-automatic Tubes Cutter Z-2007 is a pneumatic device designed to shorten atomizers or aerosol valves tubes to desired length within the range of 45 – 290 mm. Cutting blade forms a v-shaped edge on the tube, which helps to prevent clinging the end of the tube to the bottom of the bottle while dispensing the content.

In standard, the device is equipped with one centering adapter allowing for work with one tube diameter (from 2 mm to 5.5 mm), which was specified in order. The device is also equipped with cut cycles counter.





Operational parameters:

Production capacity: ~600 - 1800 pcs/h (10 - 30 pcs/min). The maximum capacity is dependent work organization in the process line and operator's experience.

Output tube length 45 - 290 mm
range:

Tube diameters: $\varnothing 2$; $\varnothing 3$; $\varnothing 4.5$; $\varnothing 5.5$ (depending on the installed adapter)

Overall dimensions and weight:

Width: 160 mm

Length: 375 mm

Height: 245 mm (adjustment range: 25 mm)

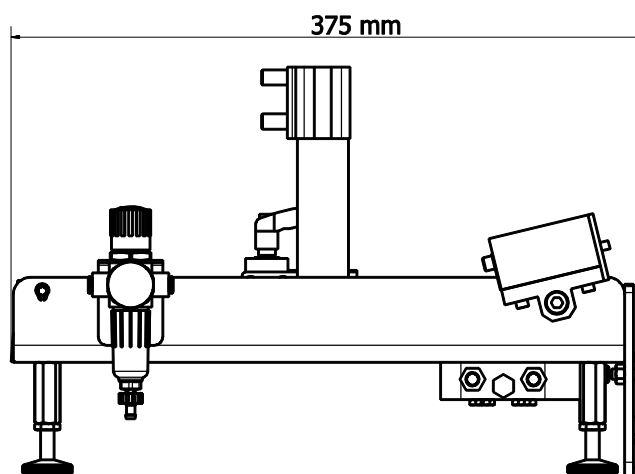
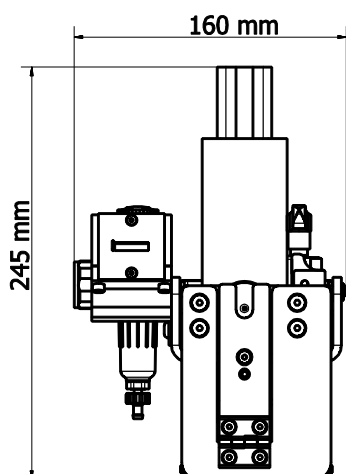
Weight: ~5 kg

Supply parameters:

Required supply pressure: 0.6 ÷ 0.8 MPa (6 ÷ 8 bar)

Air consumption: 0.06 litre/cut

Compressed air quality: According to ISO 8573-1 for temp. 15÷35°C => IV Class



ZIGLER POLSKA Sp. z o.o.

ul. Braci Gutmanów 7

43-600 Jaworzno

POLAND

+48 32 616 36 70

biuro@zigler.pl

zigler@zigler.pl

www.zigler.pl

VAT UE: PL6772294223

REGON: 120491798

KRS: KRS nr 0000032816

Sąd Rejonowy Katowice-Wschód
w Katowicach

BANK ACC.

ING BANK ŚLĄSKI

PLN 56 1050 1360 1000 0090 3033 8132

EUR 94 1050 1360 1000 0024 0995 9893

SWIFT: INGBPLPW