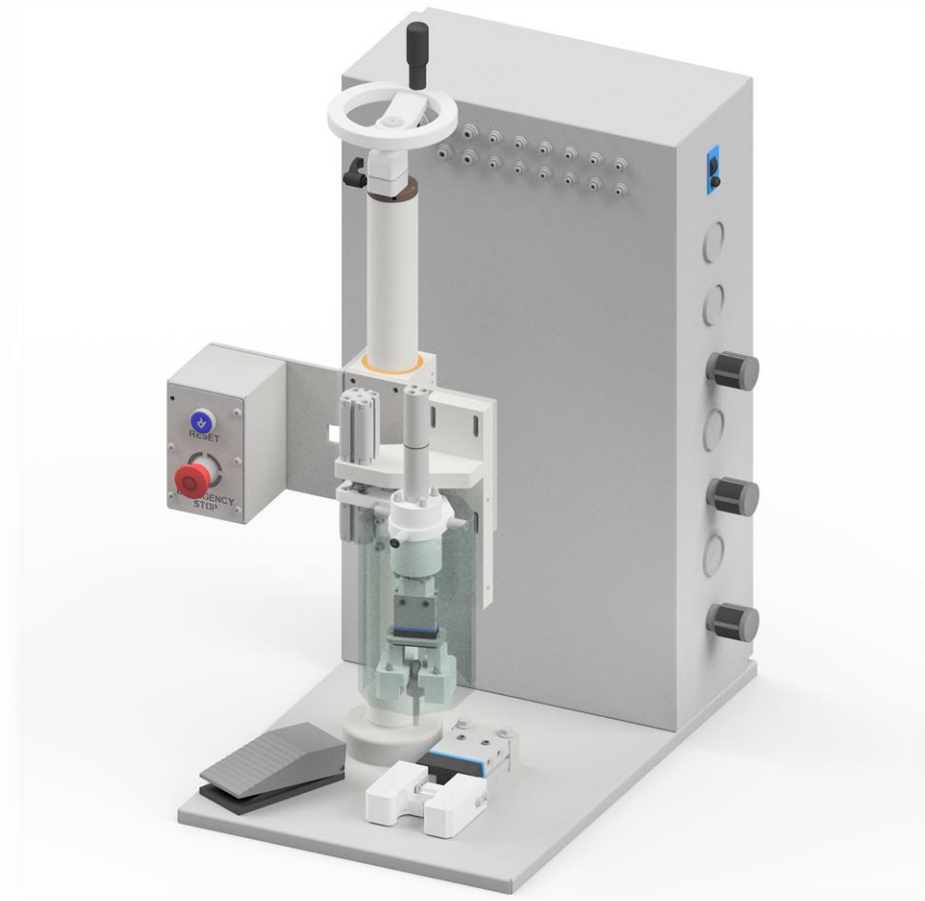


SEMI-AUTOMATIC CAPPING MACHINE TYPE: Z-2004



The Z-2004 semi-automatic capping machine is a device used to tighten the closing screwcaps on glass or plastic bottles. The bottle and screwcap are placed in the machine by hand. Using the exchangeable capping jaws and bottle jaws, it's possible to work with bottles and caps up to 120 mm in diameter. The working unit is mounted on the support stand equipped with a height adjustment mechanism, allowing the machine to handle bottles with caps with total height up to 300 mm. The machine is operated with compressed air only. The pressure exerted on the bottle, the grip pressure, capping time and capping motor torque are fully adjustable.



ZIGLER

AEROSOL & FILLING TECHNOLOGY



Operational parameters

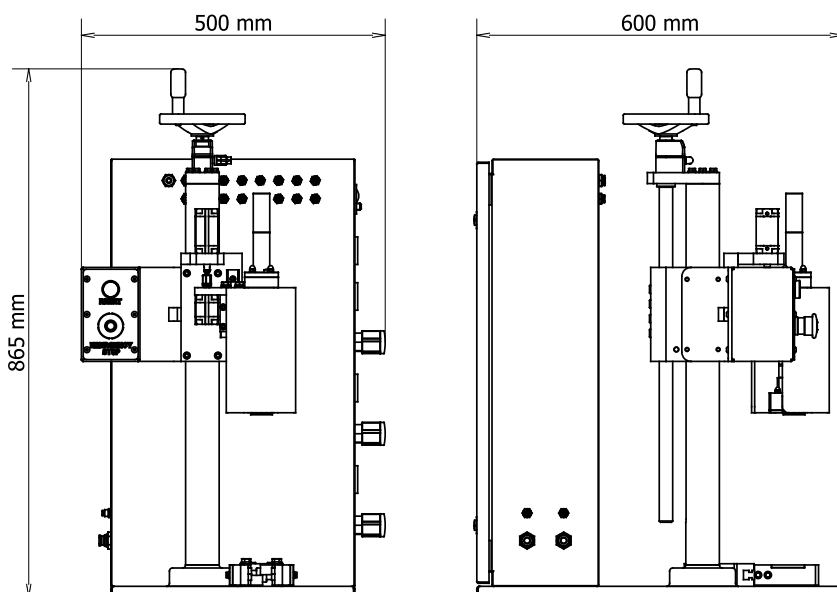
Capacity: up to 1000 pcs/h (16 pcs/min)
Bottles diameter: up to $\varnothing 120$ mm (in standard)
Screwcaps diameter: up to $\varnothing 120$ mm (in standard)
Max height (bottle + cap): 300 mm
Working pressure: 0.6 MPa (6 bar)

Overall dimensions and mass

Width: 500 mm
Length: 600 mm
Height: 865 mm
Mass: ~82 kg

Supply

Type of supply: Pneumatic
Supply pressure: 0.8 ÷ 1.0 MPa (8 ÷ 10 bar)
Compressed air quality: 4th class according to ISO 8573-1
for temperature range 15 ÷ 35°C
Air consumption: 4 liters/cycle



ZIGLER POLSKA Sp. z o.o.

ul. Braci Gutmanów 7
43-600 Jaworzno
POLAND

+48 32 616 36 70

biuro@zigler.pl

zigler@zigler.pl

www.zigler.pl

VAT UE: PL6772294223

REGON: 120491798

KRS: KRS nr 0000032816

Sąd Rejonowy Katowice-Wschód
w Katowicach

BANK ACC.

ING BANK ŚLĄSKI

PLN 56 1050 1360 1000 0090 3033 8132

EUR 94 1050 1360 1000 0024 0995 9893

SWIFT: INGBPLPW